

Tumble dryer

T5425S

Features and benefits

- High productivity – 2 full loads per hour per pocket
- Low energy consumption for optimal efficiency and economy
- Selection of temperature and time for easy operation
- Customized user panels for specific user needs – available for Coin and OPL (On Premises Laundry)
- Large door opening for easy loading and unloading
- Easy access to vital parts from front and rear for simple servicing
- With Compass Pro program control
 - Large and clear display for easy program selection
 - Easy access with user-friendly interface
 - Language selection
 - Service program for adjustment of parameters
 - USB connection
- Serviceprogram for adjustment of parameters eg. temperature and cool-down time
- The coin version with Ecopower to avoid over drying of the garments and get a lower energy consumption

Main options

- Stainless steel front
- Stainless steel drum
- Reversing drum
- Connection to booking- /payment- system or coin meter



Images shown are a representation of the product only and variations may occur.

| Main specifications** | | | T5425S |
|---|---------------------|------------|---------------|
| Rated capacity, filling factor 1:18 | | kg/lb | 23.5/51.7 |
| | filling factor 1:22 | kg/lb | 19.2/42.3 |
| Drum volume | | litre | 423 |
| Drum diameter | | mm | 832 |
| Heating | | | |
| gas | | BTU/h (kW) | 94 000 (27.5) |
| Consumption data (filling factor 1:22)* | | | Gas |
| Total time | | min | 22 |
| Energy consumption | | kWh | 10.2 |
| Evaporation | | g/min | 440 |
| Energy kWh/litre water evaporated | | kWh/l | 1.06 |
| Max. pressure drop | | Pa | 520 |
| * At rated capacity 100% cotton load at 50% initial moisture dried to 0%. | | | |
| ** Value per pocket | | | |

Produced according to ISO 9001 and ISO 14001.

Certified with CB certificate for Low Voltage Directive and S-mark according to the Machinery Directive. Protection class IP X4D.

| Electrical connections | | | | | |
|------------------------|--------------|-------|------------------|----------------|--------------------|
| Heating alternative | Main voltage | | Heating power kW | Total power kW | Recommended fuse A |
| | | Hz | | | |
| Gas heated | 220-240V 3 ~ | 50/60 | - | 1.3 | 10 |
| | 380-480V 3 ~ | 50/60 | - | 1.5 | 10 |
| | 230-240V 1 ~ | 50 | - | 1.7 | 10 |

| Gas and air connections | | | T5425S |
|-------------------------|-------------|-------------------|-----------|
| Gas | | ISO 7/1-R | 3/4" |
| Gas pressure | Natural gas | Pa | 2000-2500 |
| | | mbar | 20-25 |
| Propane | | Pa | 2800-5000 |
| | | mbar | 28-50 |
| Air outlet | | Ø mm | 200 |
| Evacuated air, gas | | m ³ /h | 1700 |
| Pressure drop, gas | | Max. Pa | 520 |

| Sound levels | | |
|---------------------------------------|-------|-------|
| Sound power/pressure level at drying* | dB(A) | 77/60 |

| Heat emission | | |
|---------------------------|--|----|
| % of installed power, max | | 15 |

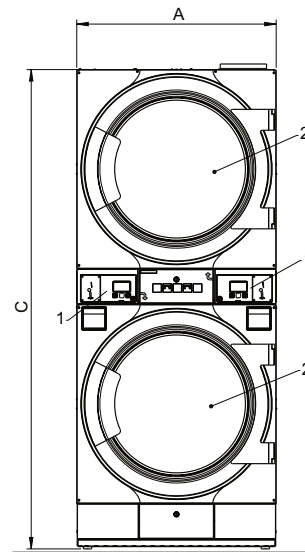
| Shipping data** | | |
|-----------------|------------------------|-----|
| | net, kg | 440 |
| | crated, m ³ | 2.8 |

| Dimensions in mm | | |
|------------------|--------|------|
| A | Width | 868 |
| B | Depth | 1336 |
| C | Height | 2086 |
| D | | 34 |
| E | | 1310 |
| F | | 1238 |
| G | | 288 |
| H | | 215 |
| I | | 1084 |
| J | | 141 |
| K | | 40 |
| L | | 34 |
| M | | 32 |
| N1 | | 110 |
| N2 | | 145 |
| N3 | | 189 |
| O | | 816 |
| P | | 2183 |

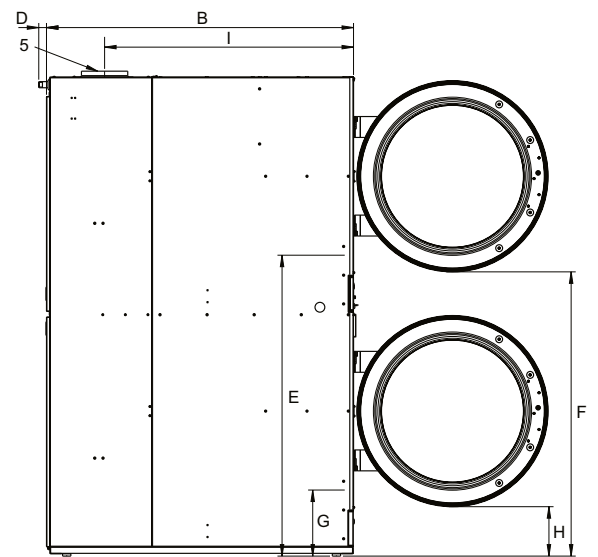
- 1 Operating panel
- 2 Door opening Ø 687 mm
- 3 Electrical connection
- 4 Gas connection
- 5 Exhaust connection

* Sound power levels measured according to ISO 60704.

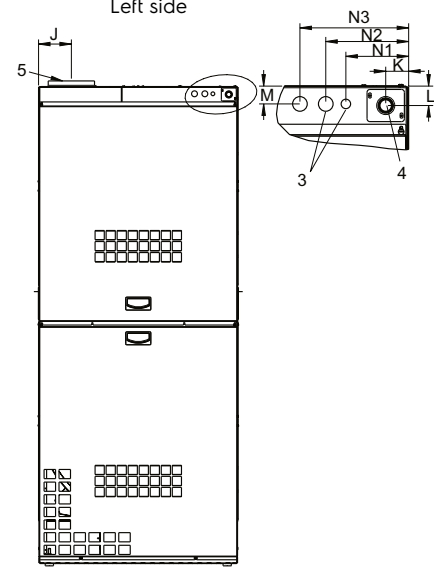
** Average data. Crated weight/shipping volume depends on configuration. Please contact logistics for exact measures.



Front



Left side



Rear side

