

lagoon[®] Advanced Care

Essential set

The perfect complement for any dry-cleaning operation

Features and benefits



Keep customers coming back

Outstanding results for garments of every type thanks to specialized detergents and dedicated programs



Delicate on the delicates

Gentle on fine textiles and wools labelled dry-clean only, as less mechanical action. Woolmark-approved



Rapid return on investment

With a better loading factor, less prespotting, easier finishing and faster process times



Sustainable and eco-friendly

Water-based cleaning with none of the disadvantages of PERC, which can be dangerous to staff



Dry to dry in 1 hour

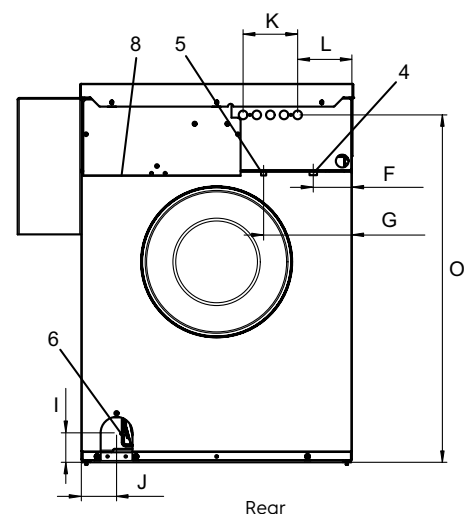
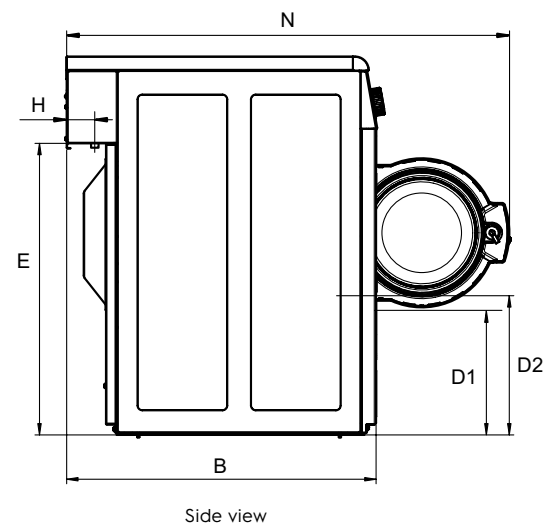
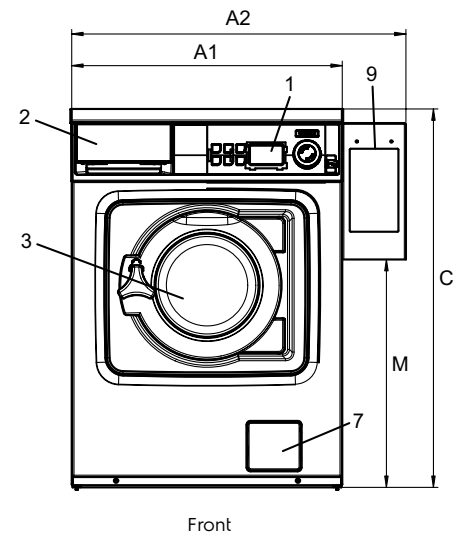
Smart chemicals and processes mean garments are fully dried in the dryer - no hang-dry



Main specifications				WH6-6	TD6-7
Max. capacity	Laundry	filling factor 1:9	kg	6	-
	Wool	filling factor 1:15	kg	4	-
	Silk	filling factor 1:18	kg	3	-
Max. capacity	Drying	filling factor 1:18	kg	-	7
Drum,	volume		litre	53	130
	diameter		∅ mm	452	575
Extraction			rpm	1450	-
G-factor				530	
Heating alternative	electricity		kW	4.4	5.1
Consumption data "lagoon 6W02CH"					
Total time	Wool	High extraction	min	22	25
	Wool	Medium extraction	min	23	-
	Silk		min	16	-
	Synth. mix	Medium extract	min	20	-
	Synth. mix	Low extract	min	17	-
	Curtains		min	-	-
Water consumption (cold+hot)	Wool	High extraction	litre	26	-
	Wool	Medium extraction	litre	25	-
	Silk		litre	25	-
	Synth. mix	Medium extract	litre	26	-
	Synth. mix	Low extract	litre	25	-
	Curtains		litre	-	-
Energy consumption (motor/heating/water)	Wool	High extraction	kWh	0.05/0.25	-
	Wool	Medium extraction	kWh	0.05/0.25	-
	Silk		kWh	0.05/0.2	-
	Synth. mix	Medium extract	kWh	0.05/0.3	-
	Synth. mix	Low extract	kWh	0.05/0.25	-
	Curtains		kWh	-	-
Consumption data "Normal 60°C"					
Total time			min	50	31.0
Water consumption (cold+hot)			litre	29+10	-
Energy consumption (motor/heating/hot water)			kWh	0.2/0.15/0.6	3.23
Residual moisture			%	45	-
Evaporation			g/min	-	99
Energy/Water evaporation			kWh/l	-	1.06

Electrical connections					
Heating alternative	Main voltage		Heating power kW	Total power kW	Recommended fuse A
	Hz				
Electric heated	220-240V 1N -	50/60	2.2/2.8	2.4/3.0	16
	220-240V 1N -	50/60	4.4	4.6	20
	220-230V 1N -	50/60	4.4	4.6	25
	220-240V 3 -	50/60	4.4	4.6	16
	220-230V 3 -	50/60	4.4	4.6	20
	380-415V 3N -	50/60	4.4	4.6	10
	380-415V 3 -	50/60	3.6	3.8	10
	440V/480 3 -	60	4.0/4.4	4.3/4.7	10
Non heated	110-480V 1/3 -	50/60	-	0.5	10

Water connections		WH6-6	
Water valves	DN	20	
Water pressure	kPa	200-500	
Capacity at 300 kPa	l/min	17	
Drain valve	∅ mm	50	
Draining capacity	l/min	160	
Liquid detergent supplies		5	
Floor requirements			
Frequency of the dynamic force	Hz	24.2	
Floor load at max extraction	kN	1.02 ± 0.3	
Sound levels			
Sound power/pressure level at extraction*	dB(A)	70/56	
Sound power/pressure level at wash*	dB(A)	56/42	
Heat emission			
% of installed power, max		5	
Shipping data**			
Shipping volume	net, kg crated, m ³	100 0.46	
Accessories			
Stainless steel fluff collector		x	
Stacking kit with tumble dryer		x	
Steel base		x	
Dimensions in mm			
A1	Width	595	
A2	Width	735	
B	Depth	681	
C	Height	832	
D1		284	
D2		310	
E		641	
F		84	
G		194	
H		48	
I		65	
J		78	
K		120	
L		119	
M		501	
N		974	
O		764	
1	Operating panel	6	Drain valve
2	Detergent box	7	Drain pump
3	Door opening ∅ 255 mm	8	Electrical connection
4	Cold water	9	Payment system
5	Hot water		



Front and side panels in metallic grey and dark blue

* Sound power levels measured according to ISO 60704.

** Average data. Crated weight/shipping volume depends on configuration. Please contact logistics for exact measures.

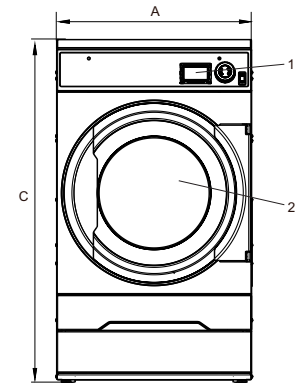
Electrical connections					
Heating alternative	Main voltage		Heating power kW	Total power kW	Recommended fuse A
		Hz			
Electric heated	220-240V 1 -	50/60	4.5/6.0	4.8/6.3	25/35
	220-230V 3 -	50/60	4.5/6.0	4.8/6.3	16/20
	240V 3 -	50/60	4.5/6.0	4.8/6.3	16/16
	380-400V 3 -	50/60	4.5/6.0	4.8/6.3	10/16
	415/440/480V 3 -60	50/60	4.5/6.0	4.8/6.3	10/10
Gas heated	220-480V 1/3 -	50/60	*	0.3	10

* Total power and recommended fuse does not depend on the heating power in those cases.

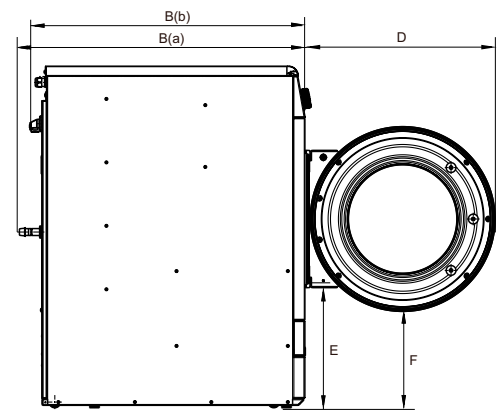
Gas and air connections			TD6-7	
Gas		ISO 7/1-R	1/2"	
Gas pressure	Natural gas	Pa	2000	
		mbar	20	
	Propane	Pa	2800-5000	
		mbar	28-50	
Air outlet		ø mm	125	
Evacuated air,	el 3.0/4.5 kW	m ³ /h	150	
		m ³ /h	220	
Pressure drop	el 3.0/4.5 kW	Max. Pa	280	
		6.0 kW	Max. Pa	350
			gas 7.0 kW	Max. Pa
			230	
Sound levels				
Sound power/pressure level at drying*		dB(A)	63/48	
Heat emission				
% of installed power, max			15	
Shipping data**				
Weight	net, kg		109	
Shipping volume	crated, m ³		0.81	
Dimensions in mm				
A	Width		600	
B(a)	Depth, el		845	
B(b)	Depth, gas		877	
C	Height		1050	
D			582	
E			384	
F			296	
G			79	
H			50	
I			98	
J			118	
K			90	
L			522	
1	Operating panel			
2	Door opening ø 392 mm			
3	Electrical connection			
4	Exhaust connection			
5	Gas connection			

* Sound power levels measured according to ISO 60704.

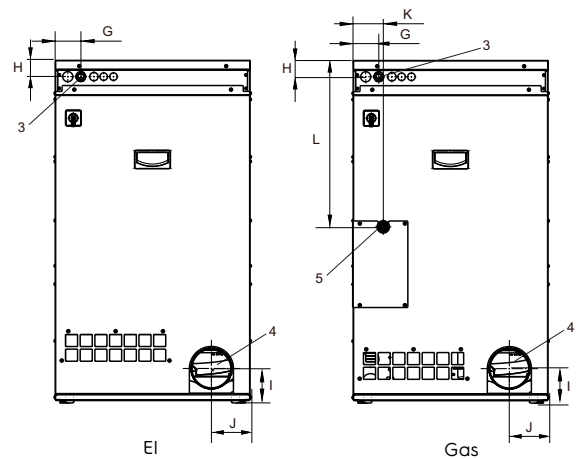
** Average data. Crated weight/shipping volume depends on configuration. Please contact logistics for exact measures.



Front



Left side



Rear side



For more information about Efficient Dosing System please refer to the EDS Product Data Sheet

Efficient Dosing System	230V / 50Hz	115V / 60Hz
EDS complete kit with 2 pumps	988916901	988916911
EDS complete kit with 3 pumps	988916902	988916912
EDS complete kit with 4 pumps	988916903	988916913
EDS complete kit with 5 pumps	988916904	988916914
EDS complete kit with 6 pumps	988916935	988916915
EDS Controller	988916937	988916937
EDS 24V Interface	988916941	988916941

Low level alarm		Description	PNC
Power supply	230V AC 50/60Hz	Low level alarm	988916610
Peak power absorbed	4W	Low level probe	988916611
Number of level sensor inputs	7 opto-isolated	LLA & 2 probes	988916612
Entry probes	Low voltage contact	LLA & 3 probes	988916613
Degree of protection	IP 65	LLA & 4 probes	988916614
	Relay contact NA250V 8A	LLA & 5 probes	988916615
Alarm output	max.	LLA & 6 probes	988916616

Electrolux name and description	Packaging 20 litres	Packaging 10 litres
W01 - lagoon Sensitive Detergent Professional detergent for natural/animal fiber	432731085	432731086
W03 - lagoon Sensitive Conditioner Professional conditioner for natural/animal fiber	432731087	432731088
W02 - lagoon Delicate Detergent Professional delicate universal detergent	432731089	432731090

For further information including spotting agents, please refer to the lagoon detergent Product Data Sheet



BASE; open front and sides with wheels


Suitable for models: TD6-7
 988918477 Height: 370 mm
 Material: Stainless steel
 988918478 Height: 370 mm
 Material: Galvanised, silver grey painted

BASE; closed front and sides


Suitable for models: WH6-6
 988918473 Height: 100 mm
 Material: Stainless steel
 988918474 Height: 100 mm
 Material: Galvanised, silver grey painted

BASE; closed front and sides with wheels


Suitable for models: TD6-7
 988918475 Height: 100 mm
 Material: Stainless steel
 988918476 Height: 100 mm
 Material: Galvanised, silver grey painted

BASE; closed front and sides


Suitable for models: WH6-6
 988918483 Height: 290 mm
 Material: Stainless steel front and galvanised, silver grey painted sides
 988918484 Height: 290 mm
 Material: Galvanised, silver grey painted front and sides
 988918485 Height: 290 mm
 Material: Stainless steel front and galvanised, silver grey painted sides
 Special version "floating foundation" - concrete filled
 988918486 Height: 290 mm
 Material: Galvanised, silver grey painted front and sides
 Special version "floating foundation" - concrete filled

STACKING KIT with or without base


Suitable for models: WH6-6 with TD6-7
 988918479 Stainless steel stacking kit without the base
 988918480 Galvanised, silver grey painted stacking kit without the base
 988918481 + 988918473 Stainless steel stacking kit with the base included
 988918482 + 988918474 Galvanised, silver grey painted stacking with the base included
 988918481 Stainless steel stacking kit, when re-using existing base
 988918482 Galvanised, silver grey painted stacking, when re-using existing base