

Washer extractor

W5250N

Features and benefits

- **Compass Pro[®] microprocessor offers:**
 - Large display and one control knob for easy program selection
 - Language selection
 - Quick selection and option buttons for the most frequently used wash programs and options
 - Wash program packages optimized on Economy, Performance and Time. (Available on general programs)
- Extremely low water and energy consumption – see table below
- Four compartment detergent box for manual dosing of powder or liquid detergent
- High extraction force for efficient dewatering
- Door with gasket and strong hinges built for heavy duty operation
- Stainless and galvanized steel in all vital parts for high degree of rust protection
- SuperBalance guarantees the correct extraction force

Main options

- Automatic liquid detergent supply (optional I/O board)
- Connection to booking- /payment- system or coin meter



Images shown are a representation of the product only and variations may occur.

Main specifications				W5250N			
Max. capacity	filling factor 1:9	kg/lb		28/62			
Drum,	volume	litre		250			
	diameter	∅ mm		725			
Extraction		rpm		497			
G-factor				100			
Standard heating alternatives	electricity	kW		18.0			
	steam			X			
	non-heated			X			
Consumption data "Normal 60°C"				EI		Steam**	
Economy*				Full load, 28 kg	Half load, 14 kg	Full load, 28 kg	Half load, 14 kg
Total time		min	49	46	49	46	
Water consumption (cold+hot)		litre	159+47	131+31	206+0	162+0	
Energy consumption (motor/heating/hot water)		kWh	0.3/1.35/3.0	0.3/0.9/2.0	0.3/-	0.3/-	
Steam consumption		kg	-	-	6.5	4.35	
Residual moisture		%	69	78	69	78	

* Water temperature 15°C cold water and 65°C hot water.
 ** Depending on steam pressure.

Produced according to ISO 9001 and ISO 14001.

Certified with CB certificate for Low Voltage Directive and S-mark according to the Machinery Directive. Protection class IP X4D.

Electrical connections					
Heating alternative	Main voltage		Heating power kW	Total power kW	Recommended fuse A
		Hz			
Electric heated	220-240V 3 ~	50/60	18.0	18.8	50
	380-415V 3N ~	50/60	18.0	18.7	35
	440V 3 ~	60	18.0	18.8	35
	480V 3 ~	60	18.0	18.8	25
Steam or Non heated	220-480V 1 ~	50/60	-	1.1	10

Water and steam connection		W5250N
Water valves	DN	20
Water pressure	kPa	200-600
Capacity at 300 kPa	l/min	60
Drain valve	ø mm	75
Draining capacity	l/min	170
Steam valve	DN	15
Steam pressure	kPa	300-600
Liquid detergent supplies		5

Floor requirements		
Frequency of the dynamic force	Hz	8.3
Floor load at max extraction	kN	3.8 ± 4.9

Sound levels		
Sound power/pressure level at extraction*	dB(A)	70/54
Sound power/pressure level at wash*	dB(A)	66/50

Heat emission		
% of installed power, max		5

Shipping data**		
Weight	net, kg	262
Shipping volume	m ³	1.66

Accessories		
Steel base		x
Hose kits for water or steam		x
Fluff collector		x

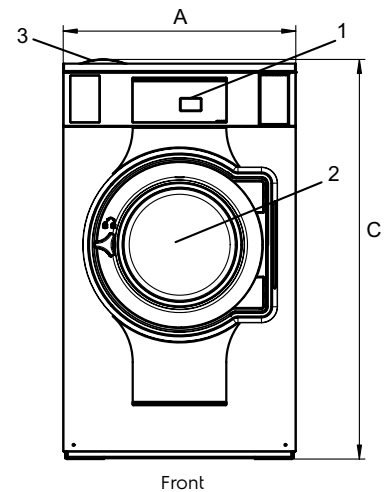
Dimensions in mm		
A	Width	830
B	Depth	1029
C	Height	1426
D1		468
D2		532
E		1599
F		1129
G		80
H		1328
I		327
J		247
K		1288
L		1203
M		278
N		100
O		265
P		162

1	Operating panel	7	Drain
2	Door opening ø 435 mm	8	Liquid detergent supply
3	Detergent box	9	Electrical connection
4	Cold water	10	Steam connection
5	Hot water		
6	Re-used water		

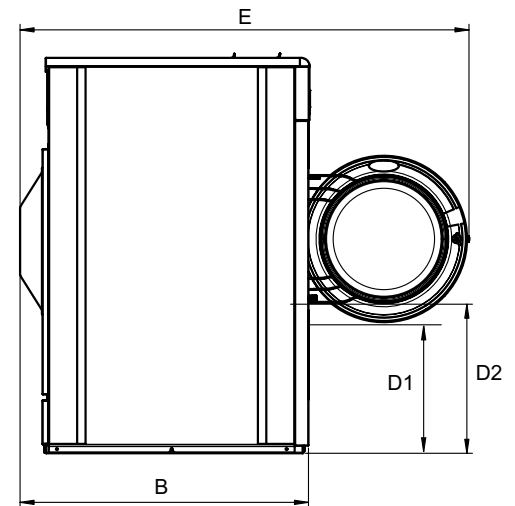
Front and side panels in light grey and blue (RAL 260 70 05, 250 60 30)

* Sound power levels measured according to ISO 60704.

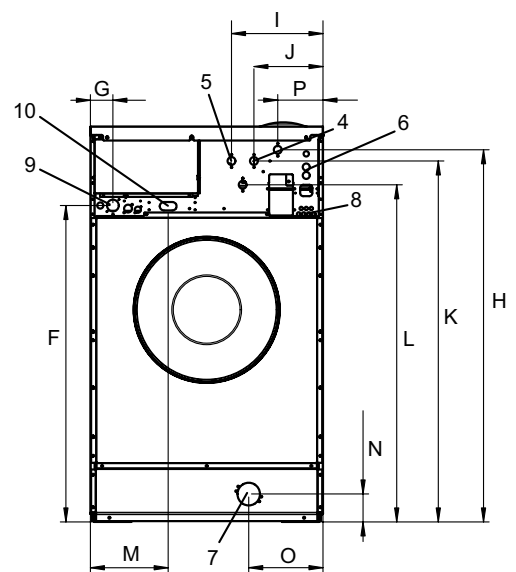
** Average data. Crated weight/shipping volume depends on configuration. Please contact logistics for exact measures.



Front



Side view



Rear