

Washing Machine: Miele PW 5065 OS, LP, LW

Construction

Stainless steel suds container and patented honeycomb drum
White lid, front and sides
All parts are coded for easy recycling at the end of their useful life
2 special heating elements
Hot and cold water connections
Drain pump (LP)
Detergent drawer in front of machine
Pre-equipped with connection for external detergent dispensing pump



Use

NOVOTRONIC L controls with rotary selector dial
10 basic programs / 7 special programs
Door release button
Scoop and ladle technology for rapid saturation of laundry
Gentle drum acceleration and imbalance monitoring for lower noise levels and better garment handling
Interface for PC connection for Miele service technicians
Drum lighting

Power supply:

Voltage 230V single phase 50/60 Hz
Other voltages on request

Options:

Pumps for liquid dispensing (kit required)
Plinth/Base (UG 5005, H: 300 mm)
Stacking kit

Capacity:

Max load ratio 6,5kgs
Drum volum 59 litres

- EASY CLEANING
- HIGH CAPACITY
- SUPERB RESULTS
- RECYCLABLE



01.12

Tumble Dryer: Miele PT 5135 C, LW, OS

Construction

Available with white lid, front and sides
Stainless steel patented honeycomb drum
Sensitive drying system for precise monitoring of residual moisture levels
Condensing system
All parts are coded for easy recycling at the end of their useful life
Can be sited free standing or in a stack with matching washer-extractor

Use

NOVOTRONIC L controls
2 basic programs
2 time scheduled programs
13 special programs
Interface for PC for service purposes



Power supply:

Voltage 230V single phase 50/60 Hz
Other voltages on request

Options:

Plinth/Base (UG 5005, H: 300 mm)
Stacking kit

Capacity:

Max load ratio 6,5kgs
Drum volum 130 litres

- EASY CLEANING
- HIGH CAPACITY
- SUPERB RESULTS
- RECYCLABLE

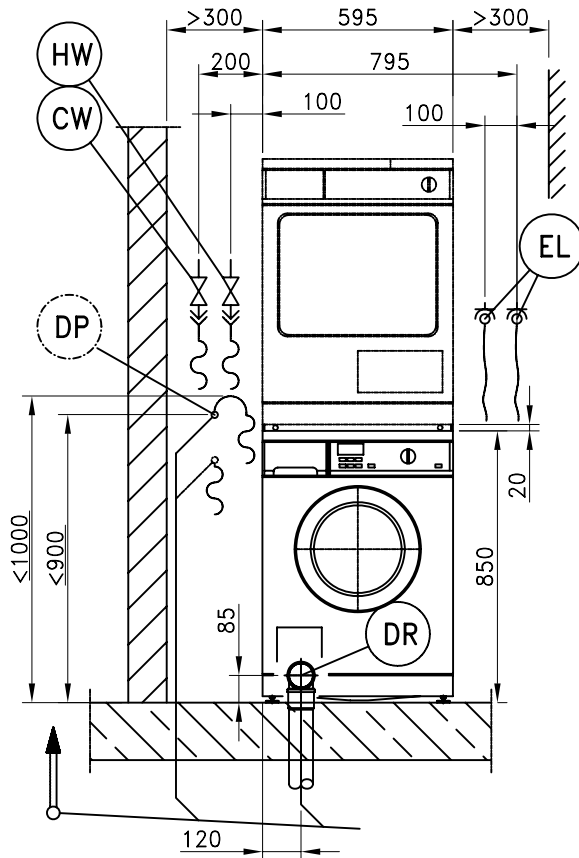
01.12



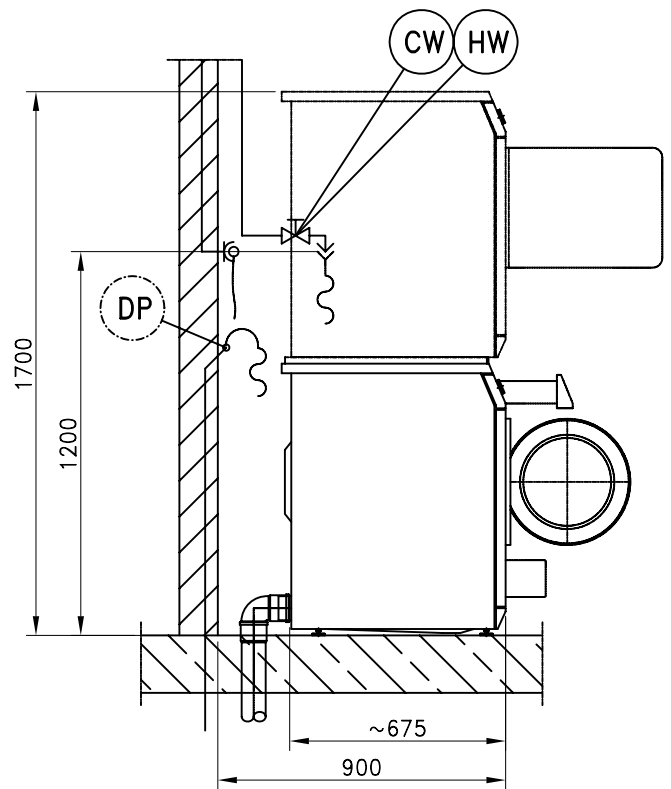
Voltage	Rated Power	Recommended fuse	Weight
220/1/60	3,2/3,75kW	16/20A	164kg

WASHING MACHINE/TUMBLE DRYER
MIELE PW5065/PT5135 (marine)
+ STACKING KIT 455229

FRONT VIEW



LEFT VIEW



DP - Pump for drain

FASTENING

