

Washer extractor

W5330N

Features and benefits

- **Compass Pro[®] microprocessor offers:**
 - Large display and one control knob for easy program selection
 - Language selection
 - Quick selection and option buttons for the most frequently used wash programs and options
 - Wash program packages optimized on Economy, Performance and Time. (Available on general programs)
- Extremely low water and energy consumption – see table below
- Four compartment detergent box for manual dosing of powder or liquid detergent
- High extraction force for efficient dewatering
- Door with gasket and strong hinges built for heavy duty operation
- Stainless and galvanized steel in all vital parts for high degree of rust protection
- SuperBalance guarantees the correct extraction force

Main options

- Automatic liquid detergent supply (optional I/O board)
- Connection to booking- /payment- system or coin meter



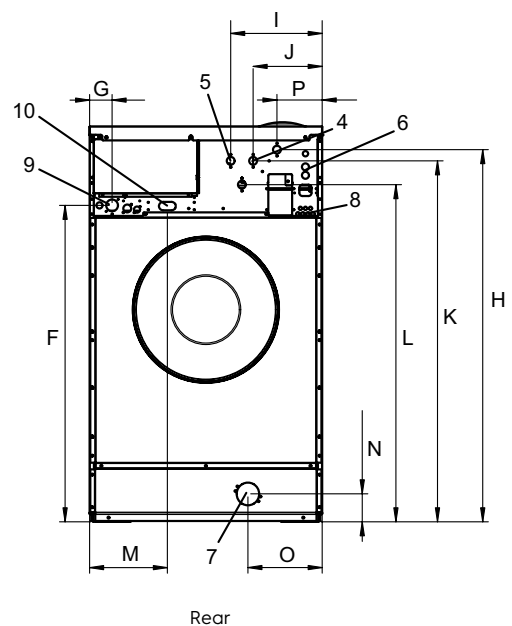
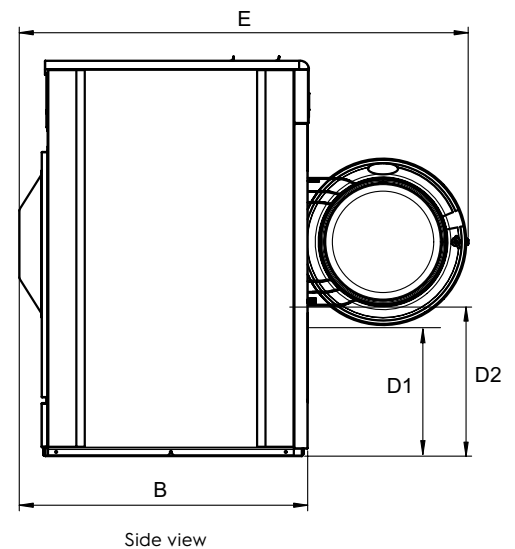
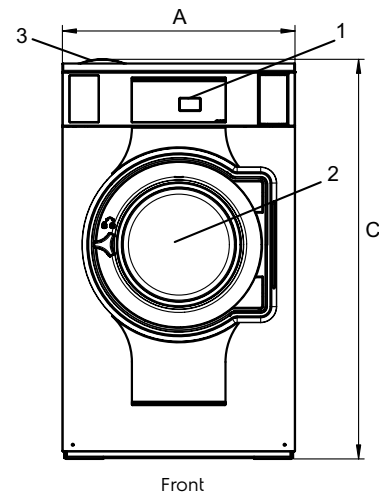
Images shown are a representation of the product only and variations may occur.

Main specifications				W5330N			
Max. capacity filling factor 1:9	kg/lb			35/75			
Drum, volume	litre			330			
	ø mm			795			
Extraction	rpm			474			
G-factor				100			
Standard heating alternatives	electricity	kW		19.1 / 19.8 / 23.0			
	steam			X			
	non-heated			X			
Consumption data "Normal 60°C"				EI		Steam**	
Economy*				Full load, 35 kg	Half load, 17.5 kg	Full load, 35 kg	Half load, 17.5 kg
Total time	min			51	48	51	48
Water consumption (cold+hot)	litre			210+57	167+36	267+0	203+0
Energy consumption (motor/heating/hot water)	kWh			0.4/1.65/3.65	0.4/1.05/2.3	0.4/-	0.4/-
Steam consumption	kg			-	-	7.95	5.05
Residual moisture	%			69	78	69	78

* Water temperature 15°C cold water and 65°C hot water.
 ** Depending on steam pressure.

Electrical connections					
Heating alternative	Main voltage		Heating power kW	Total power kW	Recommended fuse A
		Hz			
Electric heated	220-240V 3 ~	50/60	19.8/23.0	21.0/24.2	63
	380-415V 3 ~	50/60	19.8/23.0	21.0/24.2	35/50
	440V 3 ~	60	21.0/23.0	22.2/24.2	35
	480V 3 ~	60	22.8/23.0	24.0/24.2	35
	220-230V 3 ~	50/60	19.1	20.3	63
	380-400V 3 ~	50/60	19.1	20.3	35
Steam or Non heated	220-480V 1 ~	50/60	-	1.4	10

Water and steam connection		W5330N
Water valves	DN	20
Water pressure	kPa	200-600
Capacity at 300 kPa	l/min	60
Drain valve	ø mm	75
Draining capacity	l/min	170
Steam valve	DN	15
Steam pressure	kPa	300-600
Liquid detergent supplies		5
Floor requirements		
Frequency of the dynamic force	Hz	7.9
Floor load at max extraction	kN	4.6 ± 5.6
Sound levels		
Sound power/pressure level at extraction*	dB(A)	72/57
Sound power/pressure level at wash*	dB(A)	67/51
Heat emission		
% of installed power, max		5
Shipping data**		
Weight	net, kg	307
Shipping volume	m ³	1.86
Accessories		
Steel base		x
Hose kits for water or steam		x
Fluff collector		x
Dimensions in mm		
A Width		910
B Depth		1114
C Height		1465
D1		504
D2		568
E		1686
F		1168
G		80
H		1367
I		347
J		247
K		1327
L		1247
M		278
N		104
O		209
P		162
1 Operating panel	7 Drain	
2 Door opening ø 435 mm	8 Liquid detergent supply	
3 Detergent box	9 Electrical connection	
4 Cold water	10 Steam connection	
5 Hot water		
6 Re-used water		



Front and side panels in light grey and blue (RAL 260 70 05, 250 60 30)

* Sound power levels measured according to ISO 60704.

** Average data. Crated weight/shipping volume depends on configuration. Please contact logistics for exact measures.